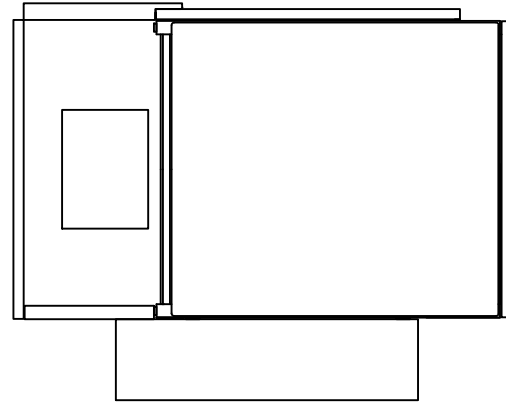
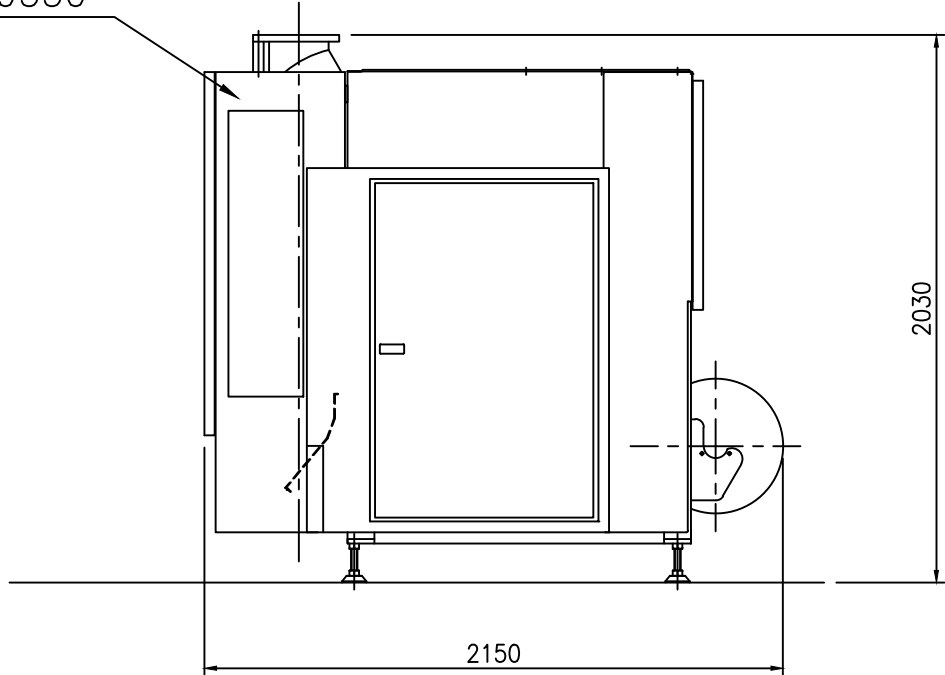
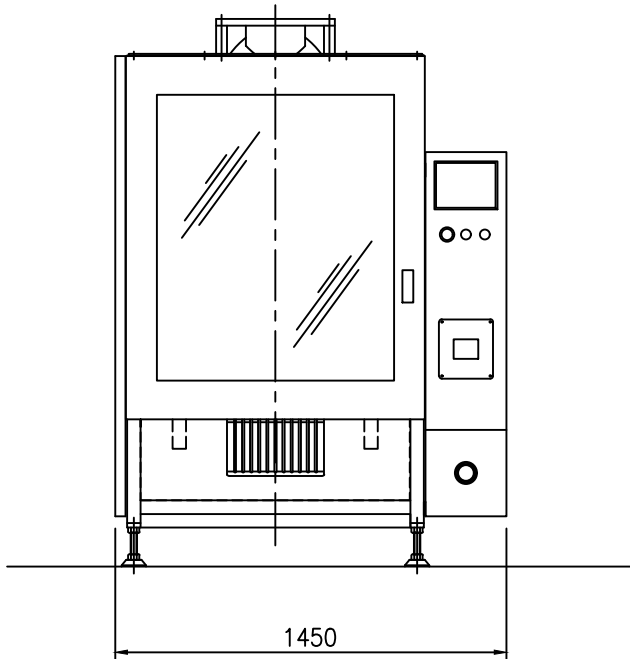


NOTE : ALL DIMENSIONS STATED ARE NOT MEANT FOR FINAL CONSTRUCTION.



PM9350



			DRAWING NAME PM 9350	DESIGNED	ASSIGNED	SCALE 1:30	REMARK
			CUSTOMER	DRAWN XIN	MATERIAL		DRAWING NO.
TYPE	SIZE	QTY	PACKAGERS PTE LTD	CHECKED CHUA	QTY. 01		PAPER SIZE A4
			DATE 200521				